

Curbs Plus, Inc.

1200 Carline Road
 Rossville, GA. 30741
 PH (706) 858-1188 / FAX (706) 866-2339

APPROVED BY: _____

DATE APPROVED: _____

(SFPD) (SLANT FACE) PLENUM-DIFFUSER SYSTEM

STANDARD FEATURES

1. G-90 Galvanized Steel Construction.
2. Turning Vanes in Each Quadrant for Maximum Performance.
3. 1" Ultralite Fiber Duct Liner Insulation.
4. Vertical and Horizontal Adjustable Deflection Grilles.
5. Fully Assembled.
6. Standard Duct Connections Provided.
7. Wire Mounting Brackets Provided as Required.
8. Angles For Drop Ceiling Installation Available.
9. Engineered Curb and Duct Packages Available.

OPTIONS:

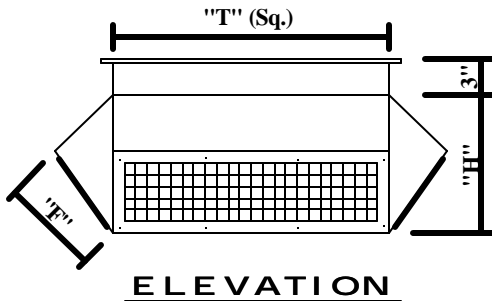
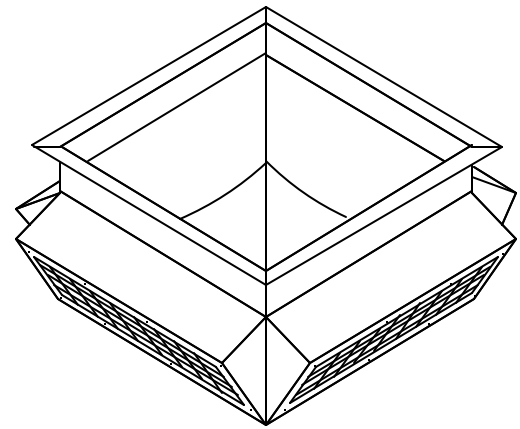
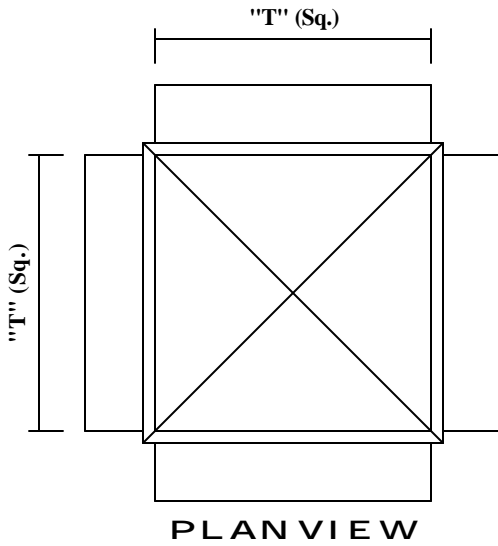
- 1.
- 2.
- 3.
- 4.

PROJECT NAME: _____

CITY, STATE: _____

CUSTOMER: _____

JOB NUMBER: _____



QUANTITY	MODEL #	"T" (Sq.)	"H"	"F"	GRILL SIZE	NOMINAL CFM	TAG
	SFPD 1408-5	16" Sq.	14"	10"	14" x 8"	2,000	
	SFPD 1608-6	18" Sq.	14"	10"	16" x 8"	2,400	
	SFPD 2008-7.5	22" Sq.	14"	10"	20" x 8"	3,000	
	SFPD 2010-8.5	22" Sq.	17"	12"	20" x 10"	3,400	
	SFPD 2210-10	24" Sq.	17"	12"	22" x 10"	4,000	
	SFPD 2410-12.5	26" Sq.	17"	12"	24" x 10"	5,000	
	SFPD 2810-15	30" Sq.	17"	12"	28" x 10"	6,000	
	SFPD 3016-20	32" Sq.	26"	18"	30" x 16"	8,000	
	SFPD 3416-25	38" Sq.	26"	18"	34" x 16"	10,000	
	SFPD 3618-30	38" Sq.	28"	20"	36" x 18"	12,000	
	SFPD 3820-40	40" Sq.	32"	22"	38" x 20"	15,000	