

# Curbs Plus, Inc.

1200 Carline Road  
 Rossville, GA. 30741  
 PH (706) 858-1188 / FAX (706) 866-2339

APPROVED BY: \_\_\_\_\_

DATE APPROVED: \_\_\_\_\_

## (DLPD) (DRUM LOUVER) PLENUM-DIFFUSER SYSTEM

### STANDARD FEATURES

1. G-90 Galvanized Steel Construction.
2. Turning Vanes in Each Quadrant for Maximum Performance.
3. 1" Ultralite Fiber Duct Liner Insulation.
4. Vertical and Horizontal Adjustable Deflection Grilles.      2.
5. Fully Assembled.
6. Standard Duct Connections Provided.
7. Wire Mounting Brackets Provided as Required.      3.
8. Angles For Drop Ceiling Installation Available.
9. Engineered Curb and Duct Packages Available.      4.

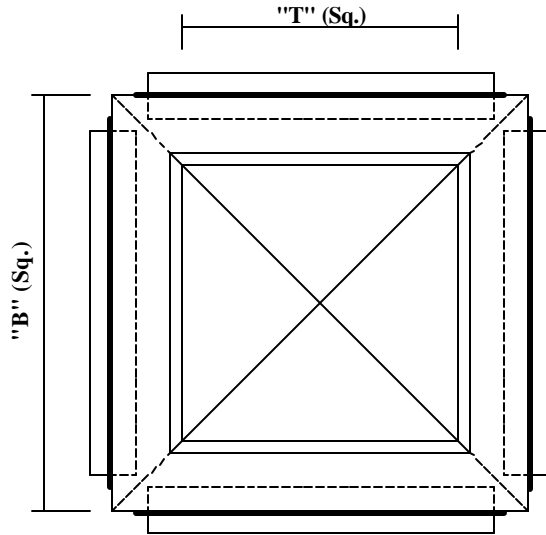
### OPTIONS:

PROJECT NAME: \_\_\_\_\_

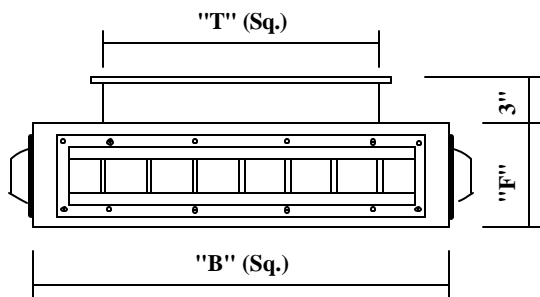
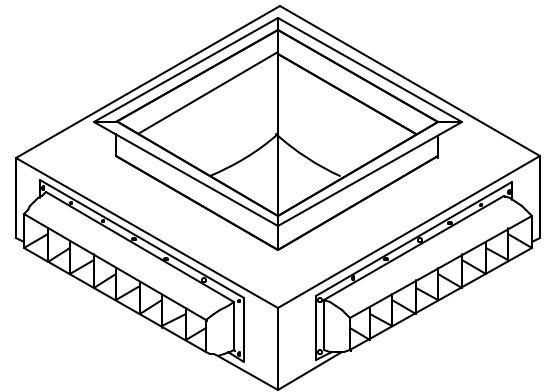
CITY, STATE: \_\_\_\_\_

CUSTOMER: \_\_\_\_\_

JOB NUMBER: \_\_\_\_\_



PLAN VIEW



ELEVATION

| QUANTITY | MODEL #        | "T" (Sq.) | "B" (Sq.) | "F" | LOUVER SIZE       | NOMINAL CFM | TAG |
|----------|----------------|-----------|-----------|-----|-------------------|-------------|-----|
|          | DLPD 1206-5    | 14"       | 22"       | 9"  | 12-3/4" x 6-1/2"  | 2,000       |     |
|          | DLPD 1806-7.5  | 20"       | 28"       | 9"  | 18-3/4" x 6-1/2"  | 3,000       |     |
|          | DLPD 2406-10   | 22"       | 40"       | 9"  | 24-3/4" x 6-1/2"  | 4,000       |     |
|          | DLPD 2010-12.5 | 24"       | 30"       | 13" | 20-3/4" x 10-1/2" | 5,000       |     |
|          | DLPD 2510-15   | 28"       | 35"       | 13" | 25-3/4" x 10-1/2" | 6,000       |     |
|          | DLPD 3510-20   | 30"       | 45"       | 13" | 35-3/4" x 10-1/2" | 8,000       |     |
|          | DLPD 4010-25   | 36"       | 50"       | 13" | 40-3/4" x 10-1/2" | 10,000      |     |
|          | DLPD 5010-30   | 38"       | 70"       | 13" | 60-3/4" x 10-1/2" | 12,000      |     |