

Curbs Plus, Inc.

1200 Carline Road
 Rossville, GA. 30741
 PH (706) 858-1188 / FAX (706) 866-2339

APPROVED BY: _____

DATE APPROVED: _____

CPPC-3 Conventional Roof Pipe Curb

STANDARD FEATURES

1. 18 Ga. Galvanized Steel Construction
2. Fully Welded One-piece Construction
3. Primed Painted after Fabrication
4. Pressure Treated 2 x 6 Wood Nailer
5. 1-1/2" Thick 3# Density Fiberglass Insulation
6. Internal Angle Reinforcement
7. Insulated 18 Ga. Galvanized Top

OPTIONS:

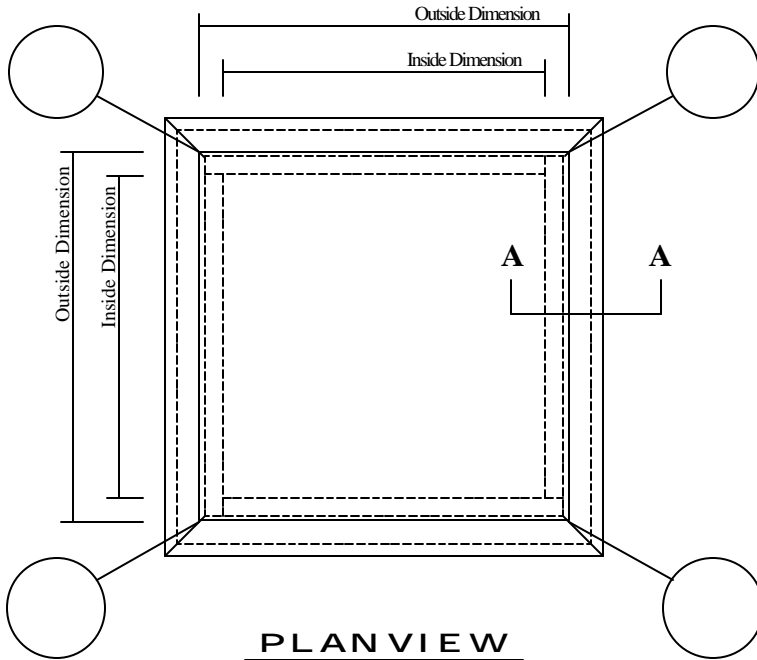
- 1.
- 2.
- 3.
- 4.

PROJECT NAME: _____

CITY, STATE: _____

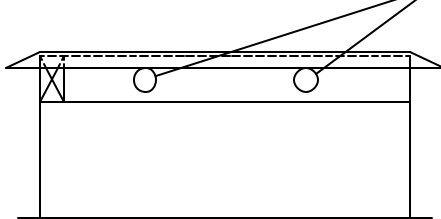
CUSTOMER: _____

JOB NUMBER: _____



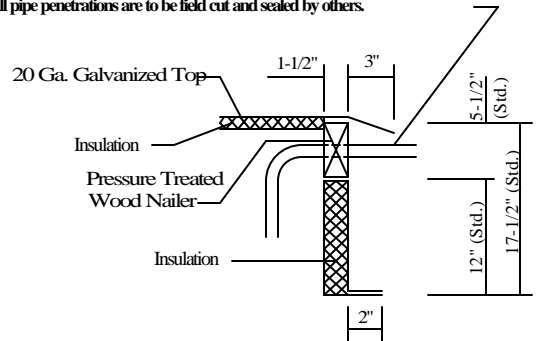
PLAN VIEW

Note: All pipe penetrations are to be field cut and sealed by others.



ELEVATION

Note: All pipe penetrations are to be field cut and sealed by others.



SECTION A-A

QUANTITY	INSIDE DIMENSION	OUTSIDE DIMENSION	HEIGHT	TAG
	X	X		
	X	X		
	X	X		
	X	X		
	X	X		