

# Curbs Plus, Inc.

1200 Carline Road  
 Rossville, GA. 30741  
 PH (706) 858-1188 / FAX (706) 866-2339

APPROVED BY: \_\_\_\_\_

DATE APPROVED: \_\_\_\_\_

## CPPC-1 Conventional Roof Pipe Curb

### STANDARD FEATURES

1. 18 Ga. Galvanized Steel Construction
2. Fully Welded One-piece Construction
3. Primed Painted after Fabrication
4. Pressure Treated 2 x 6 Wood Nailer
5. 1-1/2" Thick 3# Density Fiberglass Insulation
6. Internal Angle Reinforcement
7. Fully Mitered and Welded 3" Cant
8. Insulated 18 Ga. Galvanized Top

### OPTIONS:

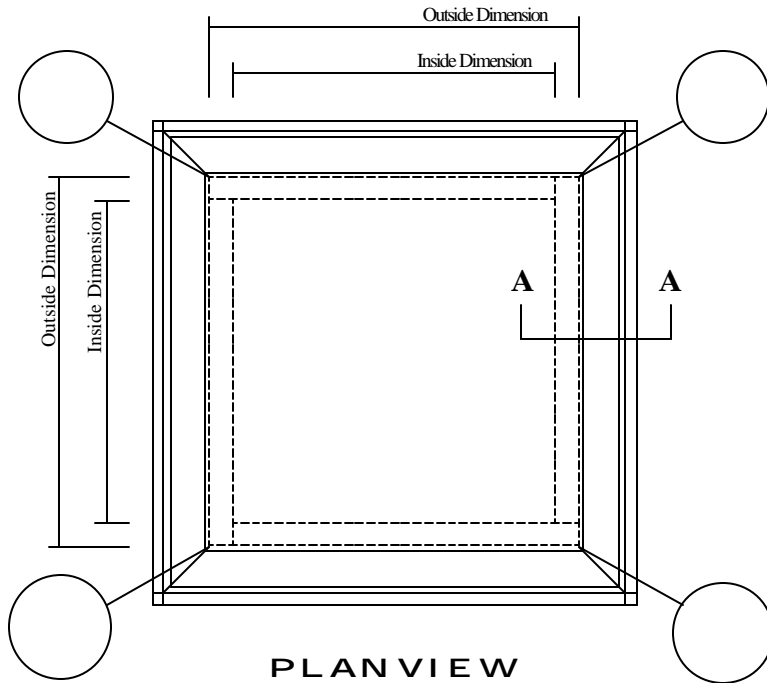
- 1.
- 2.
- 3.
- 4.

PROJECT NAME: \_\_\_\_\_

CITY, STATE: \_\_\_\_\_

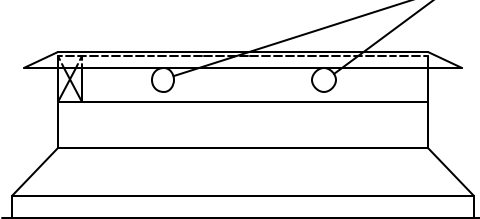
CUSTOMER: \_\_\_\_\_

JOB NUMBER: \_\_\_\_\_



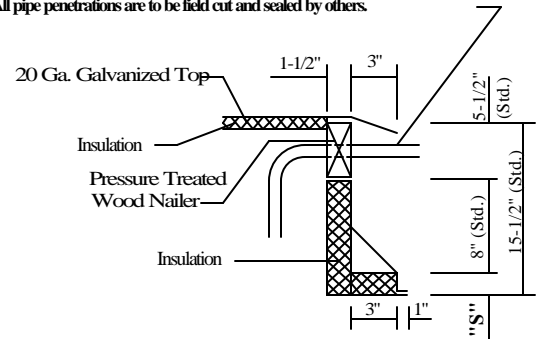
**PLAN VIEW**

**Note: All pipe penetrations are to be field cut and sealed by others.**



**ELEVATION**

**Note: All pipe penetrations are to be field cut and sealed by others.**



**SECTION A-A**

QUANTITY	INSIDE DIMENSION	OUTSIDE DIMENSION	HEIGHT	"S"	TAG
	X	X			
	X	X			
	X	X			
	X	X			
	X	X			