

Curbs Plus, Inc.

1200 Carline Road
 Rossville, GA. 30741
 PH (706) 858-1188 / FAX (706) 866-2339

APPROVED BY: _____

DATE APPROVED: _____

CPM/SD Metal Building Roof Curb Sound Deadening Baffles

STANDARD FEATURES

1. Pitched Baffle Caps for Increased Air Flow and Reduced Noise
2. Baffles have 1-1/2" thick, 3lb. Rigid Insulation Mounted on 3" Centers
3. Available on all Metal Building Roof Curb Styles

OPTIONS:

- 1.
- 2.
- 3.
- 4.

PROJECT NAME: _____

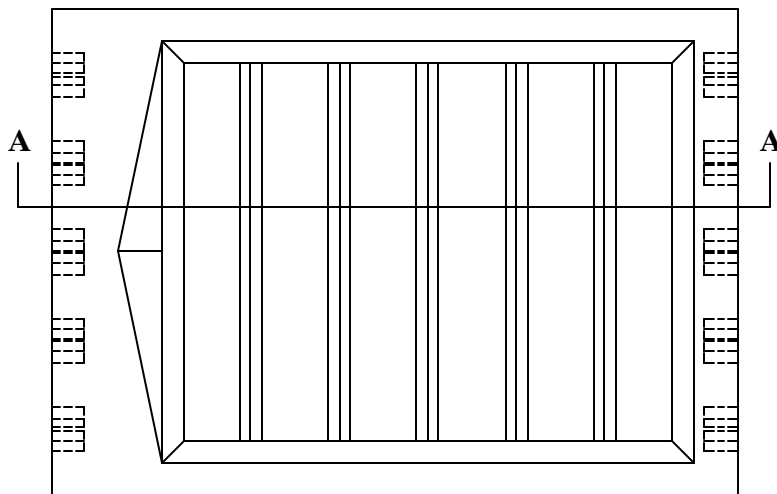
CITY, STATE: _____

CUSTOMER: _____

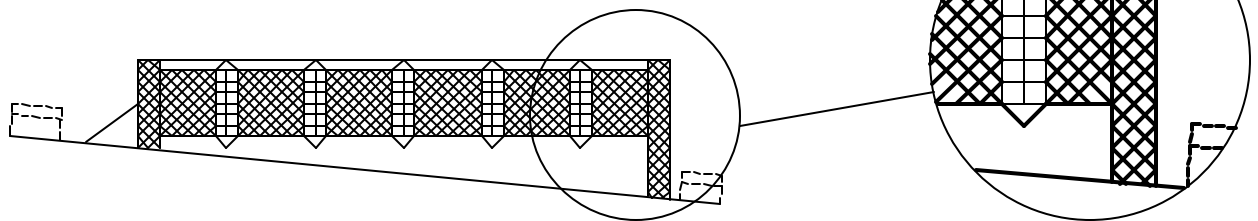
JOB NUMBER: _____

Note: Security bars are Available on all Roof Curb Styles.

(CPM-1/SD Shown)



PLAN VIEW



SECTION A-A

NOTES:

- (1) Sound Deadening Baffles are Available on all Roof Curb Styles.
- (2) See Metal Building Roof Curb Section for Curb Selection.
- (3) Add "SD" to selected Roof Curb Model Number (Example: CPM-1 would become CPM-1/SD).
- (4) Attach this sheet to Selected Roof Curb Drawing.