

# Curbs Plus, Inc.

1200 Carline Road  
 Rossville, GA. 30741  
 PH (706) 858-1188 / FAX (706) 866-2339

APPROVED BY: \_\_\_\_\_

DATE APPROVED: \_\_\_\_\_

## CPM-9 (Insulated) (1-Piece) Metal Bldg. Roof Curb

### STANDARD FEATURES

1. 18Ga. Prime Galvalume Steel Construction
2. Corners Mitered and Welded Watertight.
3. Curbs Prime Painted after Fabrication.
4. Water Cricket.
5. 8" Minimum Height.
6. No Front Clips.
7. Internal Angle Reinforcing.
8. 1-1/2" Thick, 3# Density Fiberglass.

### OPTIONS:

- 1.
- 2.
- 3.
- 4.

PROJECT NAME: \_\_\_\_\_

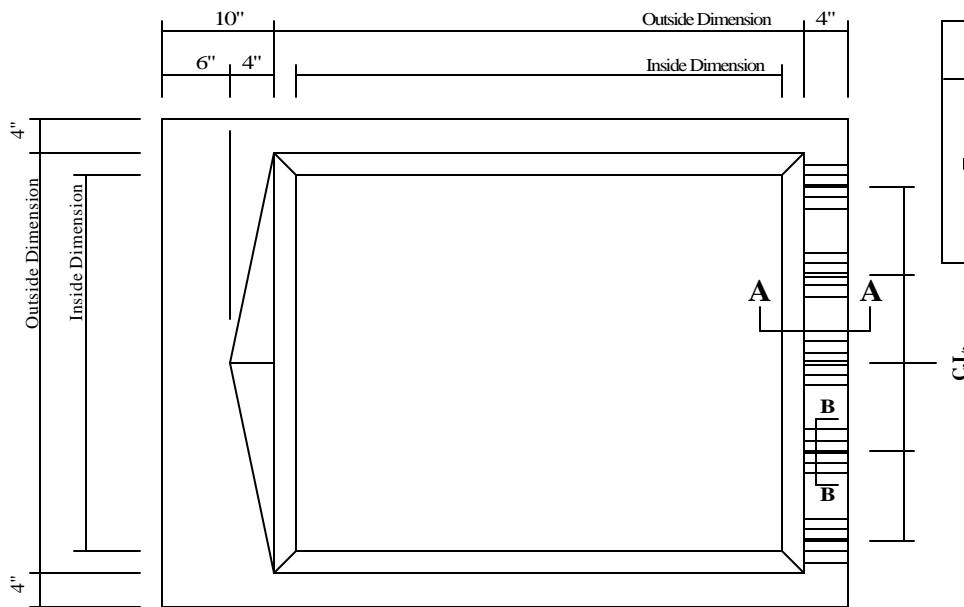
CITY, STATE: \_\_\_\_\_

CUSTOMER: \_\_\_\_\_

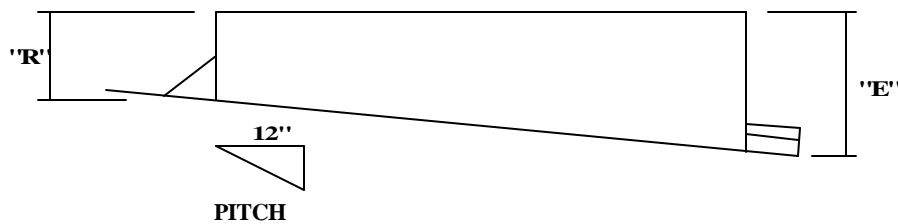
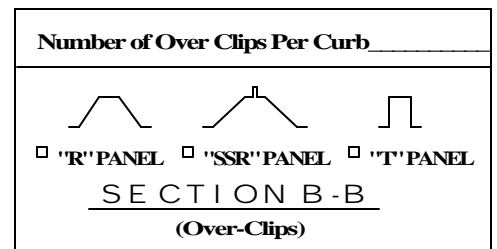
JOB NUMBER: \_\_\_\_\_

**Note: The Front Flange Fits Under the Roof Panel  
 The Rear and Side Flanges Fit Over the Roof Panel**

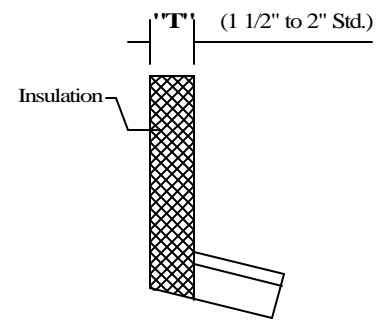
CLIPS TO MATCH THIS ROOF PANEL \_\_\_\_\_



PLAN VIEW



ELEVATION



SECTION A-A

QUANTITY	INSIDE DIMENSION	OUTSIDE DIMENSION	'R'	'E'	'T'	TAG
	x	x				