

Curbs Plus, Inc.

1200 Carline Road
 Rossville, GA. 30741
 PH (706) 858-1188 / FAX (706) 866-2339

APPROVED BY: _____

DATE APPROVED: _____

CPM-7 (Insulated) Metal Bldg. Roof Curb

STANDARD FEATURES

1. 18Ga. Prime Galvalume Steel Construction
2. Corners Mitered and Welded Watertight.
3. Curbs Prime Painted after Fabrication.
4. Water Cricket.
5. 8" Minimum Height.
6. No Clips.
7. Internal Angle Reinforcing
8. 1-1/2" Thick, 3# Density Fiberglass Insulation.

OPTIONS:

- 1.
- 2.
- 3.
- 4.

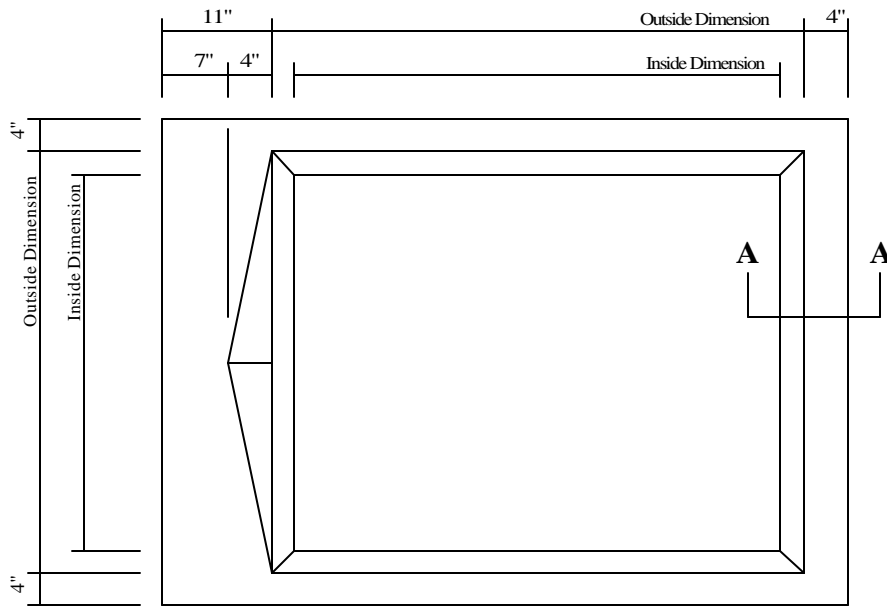
PROJECT NAME: _____

CITY, STATE: _____

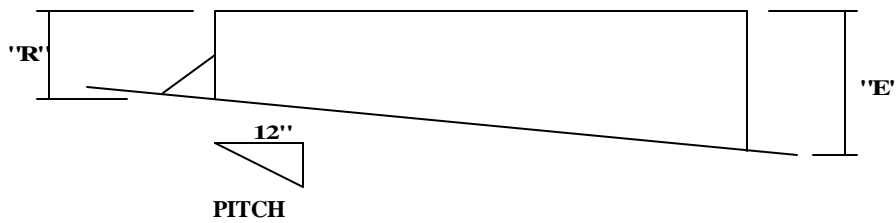
CUSTOMER: _____

JOB NUMBER: _____

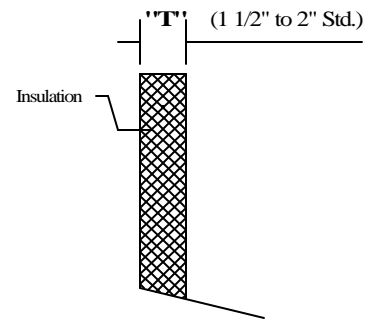
Note: The Front, Rear, and Side Flanges Fit Under the Roof Panel



PLAN VIEW



ELEVATION



SECTION A-A

QUANTITY	INSIDE DIMENSION	OUTSIDE DIMENSION	'R'	'E'	'T'	TAG
	x	x				