

Curbs Plus, Inc.

1200 Carline Road
 Rossville, GA. 30741
 PH (706) 858-1188 / FAX (706) 866-2339

APPROVED BY: _____

DATE APPROVED: _____

CPM-2 (Non-Insulated) (2-Piece) Metal Bldg. Roof Curb

STANDARD FEATURES

1. 18Ga. Prime Galvalume Steel Construction
2. Corners Mitered and Welded Watertight.
3. Curbs Prime Painted after Fabrication.
4. 14 Gauge Water Diverter Panel.
5. 8" Minimum Height.
6. Loose Clips.
7. No Insulation.

OPTIONS:

- 1.
- 2.
- 3.
- 4.

PROJECT NAME: _____

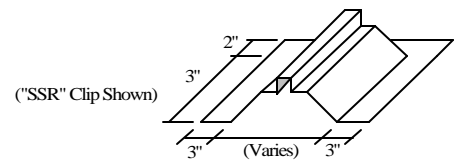
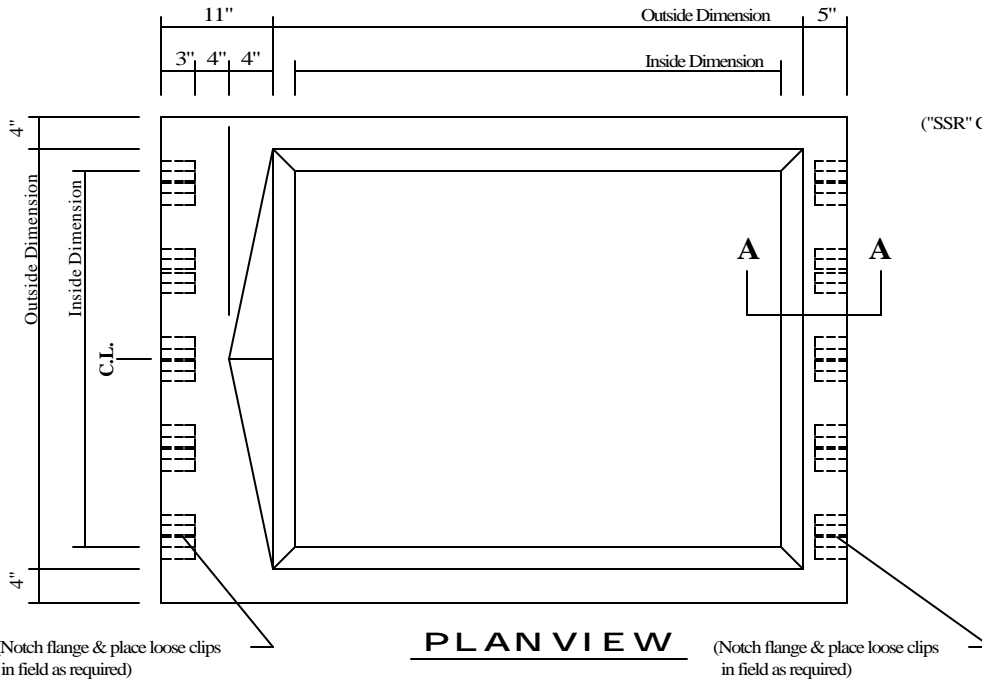
CITY, STATE: _____

CUSTOMER: _____

JOB NUMBER: _____

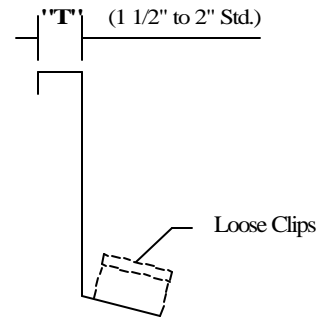
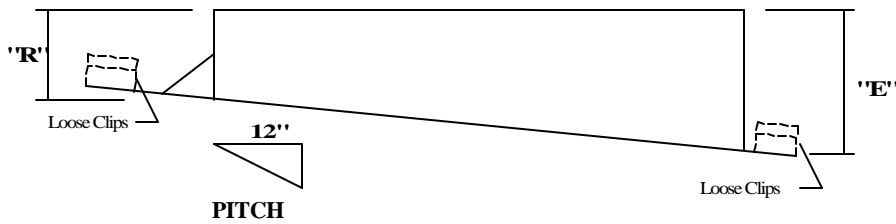
Note: The Front, Rear, and Side Flanges Fit Over the Roof Panel

CLIPS TO MATCH THIS ROOF PANEL _____



Number of Clips Per Curb _____

LOOSE CLIPS



SECTION A-A

QUANTITY	INSIDE DIMENSION	OUTSIDE DIMENSION	"R"	"E"	"T"	TAG
	x	x				