

# Curbs Plus, Inc.

1200 Carline Road  
 Rossville, GA. 30741  
 PH (706) 858-1188 / Fax (706) 866-2339

APPROVED BY: \_\_\_\_\_

DATE APPROVED: \_\_\_\_\_

## CPES-1 Conventional Roof Equipment Support

### STANDARD FEATURES

1. 18 Ga. Galvanized Steel Construction
2. Fully Welded One-Piece Construction.
3. Prime Painted after Fabrication.
4. Full Depth Internal C-Channel Reinforcing on 12" Centers.
5. 6" Spreader Channels on 12" Centers.
6. Counterflashing Attached with Tek-Screws & Neoprene Washer.
7. Pressure Treated 2x4 Wood Nailer (3-1/2" Width).
8. Fully Mitered and Welded Raised 3" Cant.

### OPTIONS

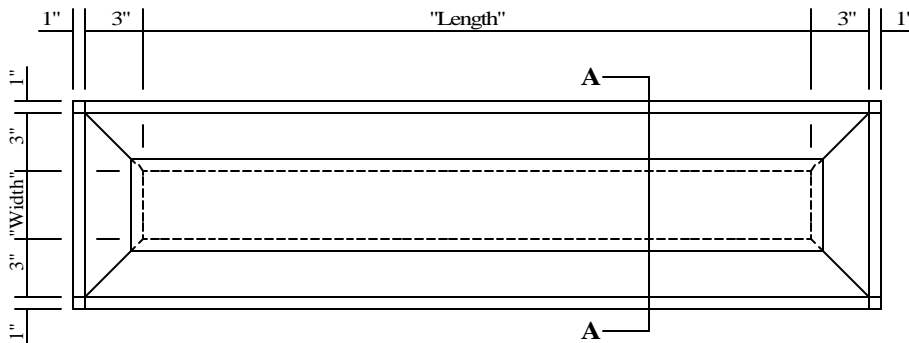
- 1.
- 2.
- 3.
- 4.

PROJECT NAME: \_\_\_\_\_

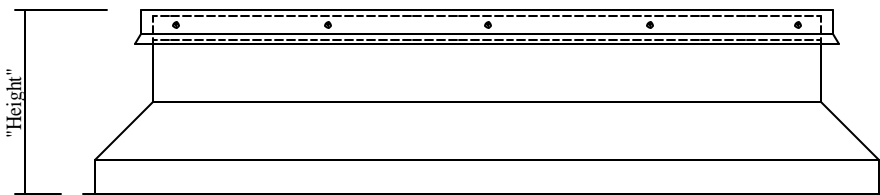
CITY, STATE: \_\_\_\_\_

CUSTOMER: \_\_\_\_\_

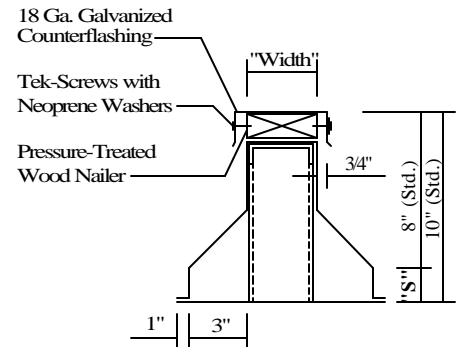
JOB NUMBER: \_\_\_\_\_



PLAN VIEW



ELEVATION



SECTION A-A

QUANTITY	LENGTH	WIDTH	HEIGHT	"S"	TAG