

Curbs Plus, Inc.

1200 Carline Road
 Rossville, GA. 30741
 PH (706)858-1188/Fax (706)866-2339

APPROVED BY: _____

DATE APPROVED: _____

CPPB-3 Conventional Pipe Box

Standard Features

1. 18 Ga. Galvanized Steel Construction.
2. Fully Welded One-Piece Construction.
3. Curbs Primed Painted after Fabrication.
4. Pipe Box- .050 Aluminum.
5. 1-1/2" Thick, 3# Density Fiberglass Insulation.
6. Internal Angle Reinforcing.
7. Insulated .050 Aluminum Top.

Options

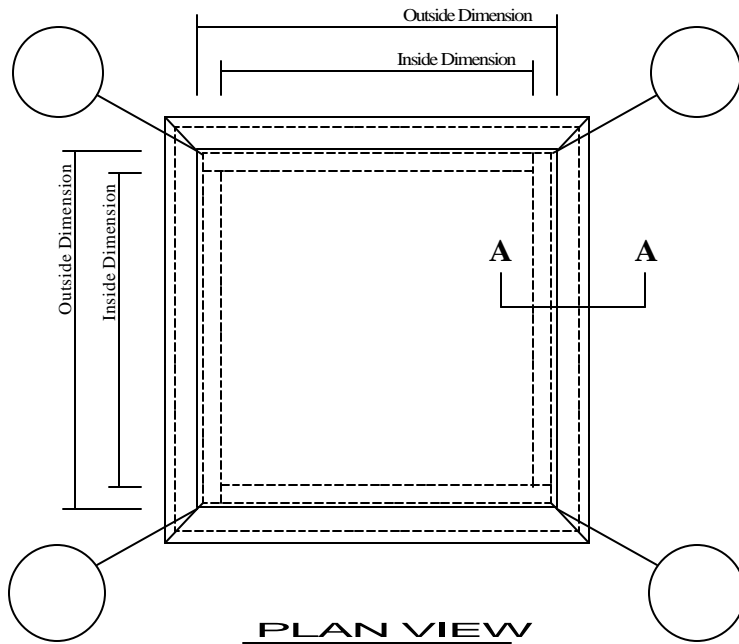
- 1.
- 2.
- 3.
- 4.

PROJECT NAME: _____

CITY, STATE: _____

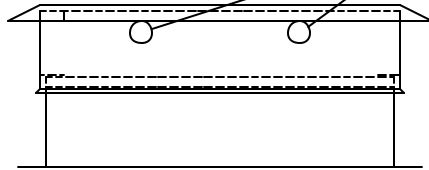
CUSTOMER: _____

JOB NUMBER: _____



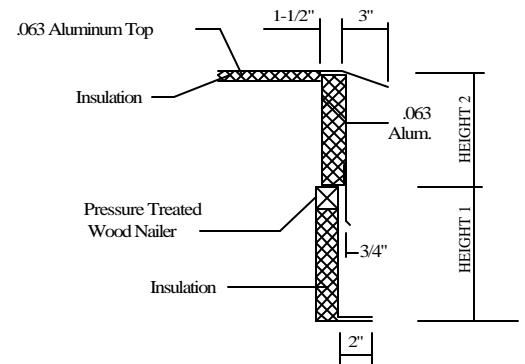
PLAN VIEW

Note: All pipe penetrations are to be field cut and sealed by others.



ELEVATION

Note: All pipe penetrations are to be field cut and sealed by others.



SECTION A-A

QUANTITY	INSIDE DIMENSION	OUTSIDE DIMENSION	HEIGHT 1	HEIGHT 2	TAG
	X	X			
	X	X			
	X	X			
	X	X			
	X	X			